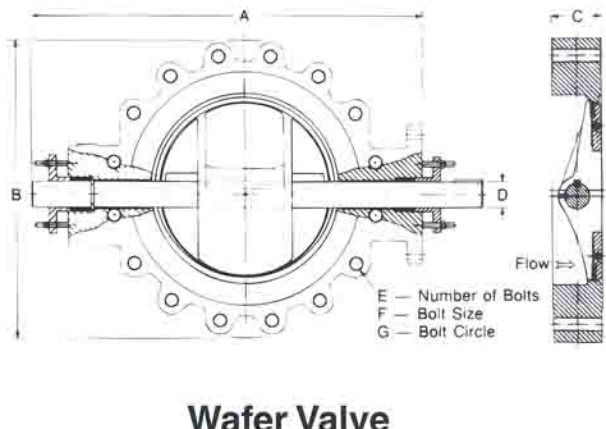
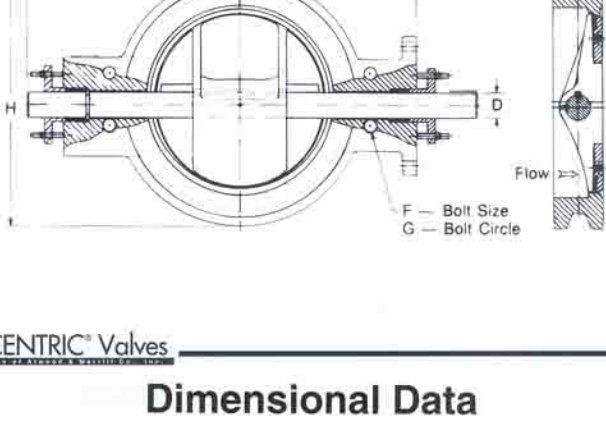


Lugged Valve



Wafer Valve



TRICENTRIC® Valves

Dimensional Data

| ANSI CLASS 300 | | VALVE SIZE | | | | | | | | | | | | |
|----------------|-------|------------|------|------|-----|-----|-----|-----|-----|-----|-----|-----|-----|-----|
| ANSI CLASS | STYLE | 3" | 4" | 6" | 8" | 10" | 12" | 14" | 16" | 18" | 20" | 24" | 30" | 36" |
| A | | 13% | 15% | 18 | 21 | 22% | 24% | 31% | 34% | 38% | 39% | 46% | 54% | 60% |
| B | | 9% | 9% | 12% | 14% | 17% | 20 | 22% | 25% | 27% | 30 | 35% | 42% | 48% |
| C | | 1% | 2% | 2% | 2% | 3% | 3% | 4% | 5% | 5% | 6% | 7% | 8% | 9% |
| D | | 5/8 | 5/8 | 1% | 1% | 1% | 1% | 2% | 2% | 2% | 3 | 3 | 3 | 3% |
| E | | 8 | 8 | 12 | 12 | 16 | 16 | 20 | 20 | 24 | 24 | 34 | 34 | 34 |
| F | | 5/10 | 5/10 | 5/10 | 5/9 | 1-8 | 1-8 | 1-8 | 1-8 | 1-8 | 1-8 | 1-8 | 1-8 | 1-8 |
| G | | 6% | 7% | 10% | 13 | 15% | 17% | 20% | 22% | 24% | 27 | 32 | 32 | 32 |
| H | | 5% | 7 | 9% | 12 | 14% | 16% | 18% | 21 | 23% | 25% | 30% | 30% | 30% |

| ANSI CLASS 600 | | VALVE SIZE inches | | | |
|----------------|-------|-------------------|-----|-----|-----|
| ANSI CLASS | STYLE | 6" | 8" | 10" | 12" |
| A | | 21% | 24% | 26% | 27% |
| B | | 14 | 16% | 20 | 22 |
| C | | 3% | 4 | 4% | 5% |
| D | | 1% | 1% | 1% | 1% |
| E | | 12 | 12 | 16 | 20 |
| F | | 1-8 | 1-8 | 1-8 | 1-8 |
| G | | 11% | 13% | 17 | 19% |
| H | | 9% | 12 | 14% | 16% |

| ANSI CLASS 150 | | VALVE SIZE | | | | | | | | | | | | |
|----------------|-------|------------|------|------|------|-----|-----|-----|-----|-----|-----|-----|-----|-----|
| ANSI CLASS | STYLE | 3" | 4" | 6" | 8" | 10" | 12" | 14" | 16" | 18" | 20" | 24" | 30" | 36" |
| A | | 9% | 10% | 15 | 15% | 18% | 21 | 22% | 25% | 27% | 30% | 35% | 41% | 48% |
| B | | 7% | 9 | 11 | 13% | 16 | 19 | 21 | 23% | 25 | 27% | 32 | 38% | 46 |
| C | | 1% | 2% | 2% | 2% | 2% | 3% | 3% | 4 | 4% | 5 | 6% | 8% | 9 |
| D | | 5/8 | 5/8 | 1% | 1% | 1% | 1% | 1% | 2 | 2% | 2% | 3 | 3 | 3% |
| E | | 4 | 8 | 8 | 8 | 12 | 12 | 12 | 16 | 16 | 20 | 20 | 28 | 33 |
| F | | 5/11 | 5/11 | 5/10 | 5/10 | 5/8 | 5/8 | 1-8 | 1-8 | 1-8 | 1-8 | 1-8 | 1-8 | 1-8 |
| G | | 8 | 7% | 9% | 11% | 14% | 17 | 18% | 21% | 22% | 25 | 29% | 36 | 42% |
| H | | 5% | 6% | 8% | 10% | 12% | 16 | 17% | 20% | 21% | 23% | 28% | 33% | 40% |

Dimensions Subject to Change

Dimensions in Inches

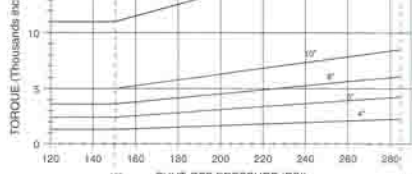
Weights

| VALVE SIZE | | pounds | | | | | | | | | | | | |
|------------|--------|-----------------|-----------------|-----|-----|-----|-----|-----------------|-----|-----|------|------|-----------------|-----------------|
| ANSI CLASS | STYLE | 3" | 4" | 6" | 8" | 10" | 12" | 14" | 16" | 18" | 20" | 24" | 30" | 36" |
| 150 | WAFER | 20 | 29 | 42 | 65 | 96 | 150 | 200 | 270 | 330 | 450 | 735 | 960 | 1880 |
| 150 | LUGGED | 32 | 37 | 50 | 75 | 115 | 175 | 230 | 300 | 365 | 545 | 650 | 1125 | 1910 |
| 300 | WAFER | 36 | 49 | 70 | 130 | 170 | 240 | 410 | 540 | 730 | 800 | 1400 | 1800 | CONSULT FACTORY |
| 300 | LUGGED | 40 | 57 | 82 | 160 | 240 | 300 | 520 | 680 | 900 | 1200 | 1800 | CONSULT FACTORY | CONSULT FACTORY |
| 600 | WAFER | CONSULT FACTORY | CONSULT FACTORY | 89 | 170 | 328 | 328 | CONSULT FACTORY | | | | | | |
| 600 | LUGGED | CONSULT FACTORY | CONSULT FACTORY | 116 | 208 | 311 | 443 | CONSULT FACTORY | | | | | | |

Cv Values

| VALVE SIZE | | | | | | | | | | | | | | |
|------------|-------|-----|-----|-----|------|------|------|------|------|-------|-------|-------|-------|-------|
| ANSI CLASS | STYLE | 3" | 4" | 6" | 8" | 10" | 12" | 14" | 16" | 18" | 20" | 24" | 30" | 36" |
| 150 | | 188 | 343 | 868 | 1678 | 2500 | 3510 | 5515 | 8440 | 11285 | 14092 | 20587 | 33700 | 50570 |
| 300 | | 188 | 343 | 868 | 1678 | 2500 | 3510 | 4942 | 7569 | 10394 | 12995 | 18962 | 29500 | 39770 |
| 600 | | | | 744 | 1450 | 2125 | 2730 | 4217 | 6457 | 8874 | 11871 | 16188 | | |

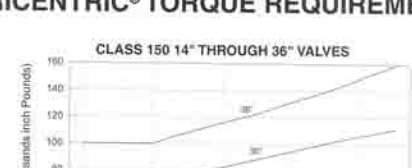
TORQUE REQUIREMENTS



TRICENTRIC® Valves

Dimensions Subject to Change

TRICENTRIC® TORQUE REQUIREMENTS



Wafer and Lugged Standard Materials of Construction

ANSI CLASS 150 — 3" THRU 36"

ANSI CLASS 150 — 3" THRU 12"

ANSI CLASS 600 — 6" THRU 12"

| Item # | Description | Carbon Steel | 316 Stainless Steel |
|--------|------------------------------|---|---|
| 1 | Valve Body | Carbon Steel A216 GR WCB with Integral Seat | 316 Stainless Steel A351 GR CF8M with Integral Seat |
| 2 | Disc | Carbon Steel A216 GR WCB | 316 Stainless Steel A351 GR CF8M |
| 3 | Clamp Ring | Carbon Steel A216 GR WCB | 316 Stainless Steel A351 GR CF8M |
| 32 | Laminated Steel Metal/Gasket | 316 Stainless Steel Graphite | 316 Stainless Steel Graphite |
| 33 | Fastener | 316 Stainless Steel | 316 Stainless Steel |
| 34 | Lockwasher | Stainless Steel | Stainless Steel |
| 35 | Cover Plate | Carbon Steel A216 GR WCB | 316 Stainless Steel A351 GR CF8M |
| 58 | Metal O' Ring | Inconel 600 | Inconel 600 |
| 59 | Hex Head Cap Screw | 316 Stainless Steel | 316 Stainless Steel |
| 59 | Annular Key | A312 TP 316 | A312 TP 316 |
| 60 | Bearing Set | Carbon or Metal | Carbon or Metal |
| 7 | Ball | 17-4PH Double H1150 AMS4750 | 17-4PH Double H1150 AMS4750 |
| 7 | Spud Pin | 316 Stainless Steel | 316 Stainless Steel |
| 7 | Parallel Key | 316 Stainless Steel | 316 Stainless Steel |
| 64 | Packing Set | John Crane 287-1 Oralok | John Crane 287-1 Oralok |
| 7 | Packing Gland | Carbon Steel A216 GR WCB | 316 Stainless Steel A351 GR CF8M |
| 7 | Stud | 316 Stainless Steel | 316 Stainless Steel |
| 7 | Hex Nut | 316 Stainless Steel | 316 Stainless Steel |
| 7 | Parallel Keys | Carbon Steel C-1045 | Carbon Steel C-1045 |

Other Materials of Construction Available on Request

*Consult factory for spare parts ordering information.

ANSI CLASS 300 — 14" THRU 24"

| Item # | Description | Carbon Steel | 316 Stainless Steel |
|--------|------------------------------|---|---|
| 1 | Valve Body | Carbon Steel A216 GR WCB with Integral Seat | 316 Stainless Steel A351 GR CF8M with Integral Seat |
| 2 | Disc | Carbon Steel A216 GR WCB | 316 Stainless Steel A351 GR CF8M |
| 3 | Clamp Ring | Carbon Steel A216 GR WCB | 316 Stainless Steel A351 GR CF8M |
| 32 | Laminated Steel Metal/Gasket | 316 Stainless Steel Graphite | 316 Stainless Steel Graphite |
| 33 | Fastener | 316 Stainless Steel | 316 Stainless Steel |
| 34 | Lockwasher | Stainless Steel | Stainless Steel |
| 35 | Cover Plate | 316 Stainless Steel | 316 Stainless Steel |
| 58 | Annular Key | A312 TP 316 | A312 TP 316 |
| 60 | Bearing Set | Steel | Steel |
| 7 | Ball | 17-4PH Double H1150 AMS4750 | 17-4PH Double H1150 AMS4750 |
| 7 | Spud Pin | 316 Stainless Steel | 316 Stainless Steel |
| 7 | Parallel Key | 316 Stainless Steel | 316 Stainless Steel |
| 64 | Packing Set | John Crane 287-1 Oralok | John Crane 287-1 Oralok |
| 7 | Packing Gland | Carbon Steel A216 GR WCB | 316 Stainless Steel A351 GR CF8M |
| 7 | Stud | 316 Stainless Steel | 316 Stainless Steel |
| 7 | Hex Nut | 316 Stainless Steel | 316 Stainless Steel |

Other Materials of Construction Available on Request

TRICENTRIC® Valves

Actuator Mounting Data

ANSI CLASS 150 VALVE SIZE inches

| ANSI CLASS | STYLE | 4" | 6" | 8" | 10" | 12" | 14" | 16" | 18" | 20" | 24" |
|------------|-------|-------|-------|-------|-------|-------|-------|-------|-------|-------|-------|
| A | | 3/8 | 1 1/8 | 1 1/2 | 1 1/2 | 1 1/2 | 2 | 2 1/2 | 2 1/2 | 2 1/2 | 3 |
| B | | 4 1/2 | 5 | 5 1/2 | 5 1/2 | 7 1/2 | 7 1/2 | 7 1/2 | 7 1/2 | 7 1/2 | 7 1/2 |
| C | | 3/8 | 1 1/8 | 1 1/2 | 1 1/2 | 2 1/2 | 2 1/2 | 2 1/2 | 2 1/2 | 2 1/2 | 2 1/2 |
| D | | 5/8 | 5/8 | 3/4 | 3/4 | 3/4 | 3/4 | 3/4 | 3/4 | 3/4 | 3/4 |
| E | | 1 1/2 | 1 1/2 | 1 1/2 | 1 1/2 | 2 | 2 | 2 | 3 1/2 | 3 1/2 | 3 1/2 |
| F | | 3 | 3 | 3 | 3 | 8 1/2 | 8 1/2 | 8 1/2 | 8 1/2 | 8 1/2 | 8 1/2 |
| G | | 5/16 | 5/16 | 5/16 | 5/16 | 5/13 | 5/13 | 5/11 | 5/11 | 5/11 | 5/11 |

ANSI CLASS 300 VALVE SIZE inches

| ANSI CLASS | STYLE | 4" | 6" | 8" | 10" | 12" | 14" | 16" | 18" | 20" | 24" |
|------------|-------|-------|-------|-------|-------|-------|-------|-------|-------|-------|-------|
| A | | 3/8 | 1 1/8 | 1 1/2 | 1 1/2 | 2 1/2 | 2 1/2 | 2 1/2 | 3 | 3 | 3 1/2 |
| B | | 6 1/2 | 8 1/2 | 7 1/2 | 7 1/2 | 7 1/2 | 7 1/2 | 7 1/2 | 7 1/2 | 7 1/2 | 7 1/2 |
| C | | 1 1/8 | 2 1/8 | 2 1/8 | 2 1/8 | 2 1/8 | 2 1/8 | 2 1/8 | 2 1/8 | 2 1/8 | 2 1/8 |
| D | | 5/8 | 5/8 | 3/4 | 3/4 | 3/4 | 3/4 | 3/4 | 3/4 | 3/4 | 3/4 |
| E | | 1 | 1 | 1 1/2 | 2 | 2 | 2 | 3 | 3 | 4 | 4 |
| F | | 5 | 5 | 8 1/2 | 8 1/2 | 8 1/2 | 8 1/2 | 8 1/2 | 8 1/2 | 8 1/2 | 8 1/2 |
| G | | 5/16 | 5/16 | 5/16 | 5/13 | 5/13 | 5/11 | 5/11 | 5/11 | 5/11 | 5/11 |

VALVE SIZE

| ANSI CLASS 600 | | inches | | | |
|----------------|-------|--------|-------|-------|-------|
| ANSI CLASS | STYLE | 6" | 8" | 10" | 12" |
| A | | 1 1/2 | 1 1/2 | 1 1/2 | 1 1/2 |
| B | | 8 1/2 | 7 1/2 | 7 1/2 | 7 1/2 |
| C | | 3 | 2 1/8 | 2 1/8 | 2 1/8 |
| D | | 5/8 | 3/4 | 3/4 | 3/4 |
| E | | 1 | 2 | 2 | 2 |
| F | | 5 | 8 1/2 | 8 1/2 | 8 1/2 |
| G | | 5/16 | 5/13 | 5/13 | 5/13 |



Mounting Dimensions Subject to Change.